

DETROIT RADIANT

RE-VERBER-RAY

RADIANT GAS HEATERS®

PRODUCTS COMPANY

SERIES

○ DR

● PH

○ PT

○ BAH

PH SERIES

GAS-FIRED HIGH INTENSITY INFRA-RED PATIO HEATER

Designed to add warmth to outdoor patio applications, the Patio-Pal® infra-red heater is the perfect solution to stylishly extend the outdoor season to many commercial and residential applications.

The Patio-Pal® easily mounts out of the way and without the hassle of refilling propane tanks. Specifically designed for comfort, reliability and ease of installation, the Patio-Pal® is sure to deliver the desired amount of warmth for dining, entertainment or work areas.

HIGH INTENSITY



*Stylishly Extend
the Outdoor Season*

TYPICAL APPLICATIONS

- Restaurant Patios
- Entrance Ways
- Outdoor Living Spaces
- Vestibules
- Valet Waiting Areas
- Smoking Areas

DETROIT RADIANT PRODUCTS CO.

21400 Hoover Rd.
Warren, MI 48089-3162

Phone: (586) 756-0950
Toll Free: 1-800-222-1100
Fax: (586) 756-2626
Email: sales@drp-co.com
Website: www.reverberray.com

PRODUCT FEATURES

- CSA Design Certified for Indoor & Outdoor Use.
- Decorative Aluminum Grill with Stainless Steel Frame.
- Wind and Rain Protected Design.
- 28,000 to 34,000 BTU Inputs. Natural or Propane Gas.
- Power Assist Fan and Reliable Direct Spark Ignition.
- Power Cord Connection with Potted Circuitry.
- Housing Available in Aluminized Steel or Stainless Steel.

VISIT OUR WEBSITE FOR:

- Product Specs
- Parts Support
- Dealer Locator
- Applications
- C.A.D. Library
- Design Guidelines
- Theory of Infra-red
- and More!

PH SERIES

SPECIFICATIONS



PRODUCT SPECIFICATIONS

BTU Range:	28, 31, & 34 MBH
Gas Type:	Natural or Propane
Certification:	CSA Indoor/Outdoor
Limited Warranty:	1 year controls, 3 years burner
Gas Connections:	3/8" NPT
Manifold:	5" Natural or 10" Propane
Minimum:	6" Natural or 11" Propane
Maximum:	14" Natural or 14" Propane
Volts:	120V primary required (3-prong cord)
Amps:	.25 starting, .24 running
Control Voltage:	120V standard

OPTIONAL EQUIPMENT:

Mounting Brackets:	PH-BKT(-SS)
Clearance Safety Sign:	PLQ
Chain Mounting Set:	PH-CS
24V Control Voltage:	Call for Availability

⚠ WARNING

To Prevent Serious Injury or Death:

INDOOR/OUTDOOR COMMERCIAL USE AND OUTDOOR RESIDENTIAL USE ONLY!

This heater is **NOT** for home or recreational use. **DO NOT USE** in the home, mobile home, RV's, campers, tents, etc. Use only in a well ventilated area. Consult the Installation, Operation and Maintenance manual for further information.

AVAILABLE PH MODELS

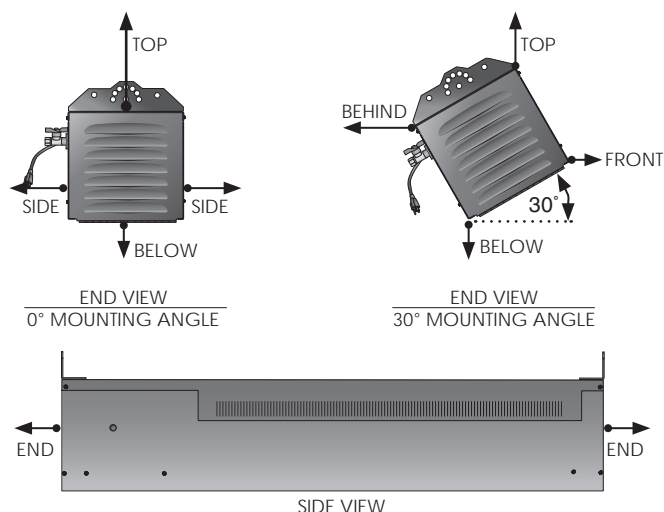
MODEL	GAS*	BTU/H	APPROX COVERAGE	DIMENSIONS			WEIGHT	MOUNTING HEIGHTS**	CLEARANCE TO COMBUSTIBLES***						
				A	B	C			MTG. ANGLE	SIDES(S)	ENDS	BELOW	TOP	BEHIND	FRONT
PH-28(-SS)	N/LP	28,000	7' x 7'	8.5"	9.0"	45.25"	^56-lbs.	8'-0" to 8'-6"	0°	14"	22"	46"	13"	N/A	N/A
									30°	N/A	22"	46"	17"	8"	46"
PH-31(-SS)	N/LP	31,000	8' x 8'	8.5"	9.0"	45.25"	^56 lbs.	8'-0" to 9'-6"	0°	14"	22"	46"	13"	N/A	N/A
									30°	N/A	22"	46"	17"	8"	46"
PH-34(-SS)	N/LP	34,000	9' x 9'	8.5"	9.0"	45.25"	^56 lbs.	8'-6" to 10'-0"	0°	14"	22"	46"	13"	N/A	N/A
									30°	N/A	22"	46"	17"	8"	46"

* Specify natural (N) or propane (LP) gas.

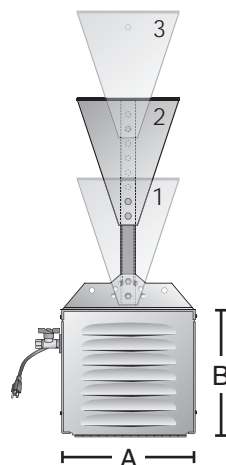
** Mounting heights are recommended and provided as a guideline only. Actual conditions may dictate variations from the above data.

*** **Always** maintain the published clearances to combustibles. **NOTE:** Certain applications (awnings, fabrics, plastics, sprinklers, insulation) may require the heater to be mounted at a distance in excess of the published clearances to combustibles. Contact the factory. **IMPORTANT:** If the heater is mounted beneath a non-combustible surface, an 8 inch minimum top clearance must be maintained from the top of the heater to prevent overheating the controls.

^ Shipping weight is 59 lbs. (64 lbs. with PH-BKT). Box dimensions 48"x15"x15". Truckline transportation is recommended.



PH SERIES & OPTIONAL MOUNTING BRACKET DIMENSIONS



Optional mounting brackets (PH-BKT) are adjustable in one inch intervals.

1. Minimum mounting bracket extension to **non-combustibles only** is 9 in.
2. Minimum **0° mounting bracket** extension to combustibles is 14.5 in.
- 2a. Minimum **angle mounting bracket** extension (up to 30°) to combustibles is 17.5 in.
3. Maximum mounting bracket extension is 20.5 in.

DISTRIBUTED BY:



WARNING! To avoid serious injury, property damage or death, clearances to combustibles **MUST** be maintained.